
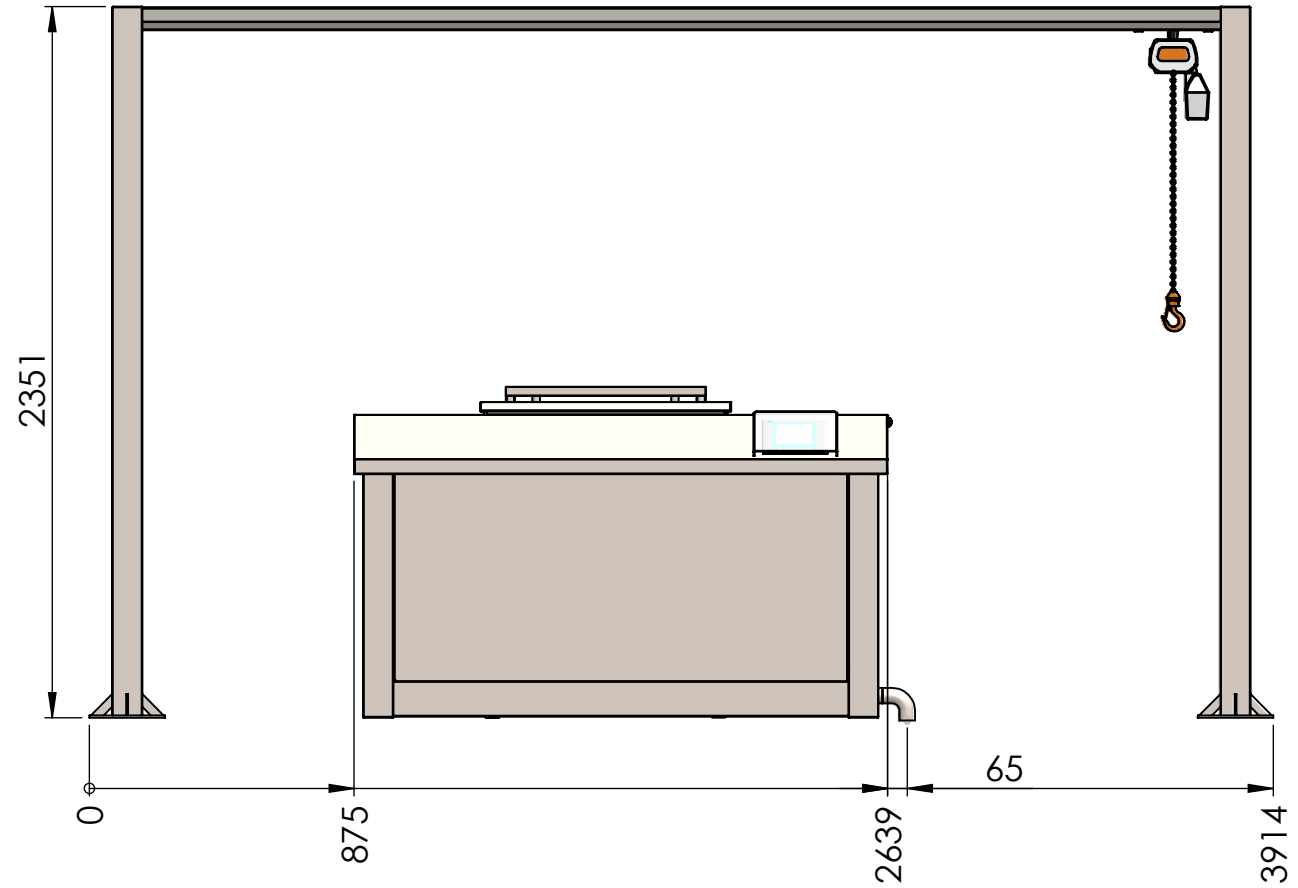
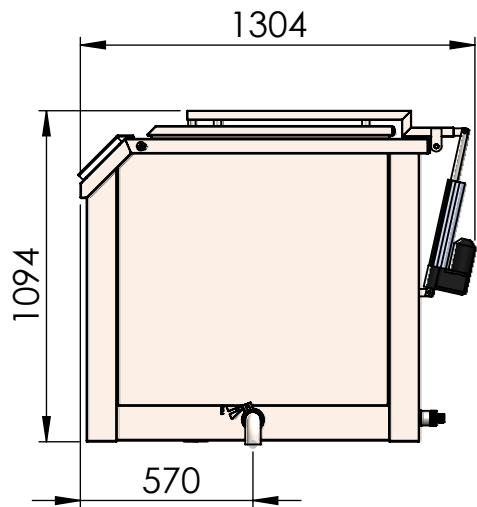


The Chiller is placed external from the kitchen.

 <p>Industrialvej 32   3700 Thisted   Denmark   T: +45 9792 0644</p>		DESCRIPTION:		55126 Sous-Vide		
		PART NO.				
WEIGHT: kilograms.	MATERIAL:	CLIENT:	DRAWN BY:	DRAWN DATE:	SHEET 1 OF 3	A4 SCALE:1:25



DESCRIPTION:

55126 Sous-Vide

PART NO.

WEIGHT: kilograms.

MATERIAL:

CLIENT:

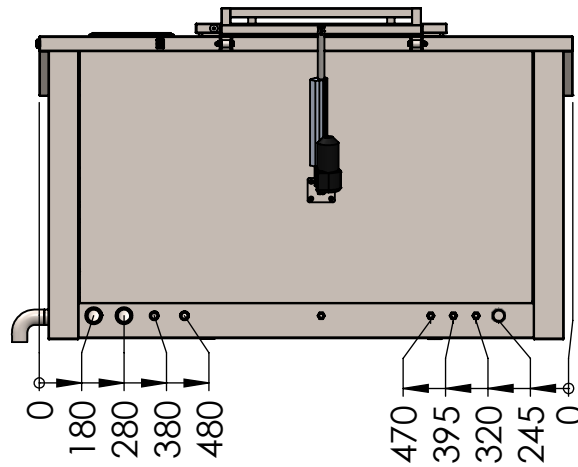
DRAWN BY:

DRAWN DATE:

SHEET 2 OF 3

A4

SCALE:1:25



Tube dia. 51mm. to drain,  
Dia. 100mm.

Glycol in:  
1½" male thread.

Glycol out:  
1½" male thread.

Cold water in:  
¾" male thread. 3bar.

Hot water in:  
¾" male thread. 3bar.

Power connection:  
35kW. 63amp.

Internet to pc:  
(DHCP CAT6 STP cable)

Ethernet to pc:  
(DHCP CAT6 STP cable)

Signal cable to Chiller.



DESCRIPTION:

55126 Sous-Vide

PART NO.

WEIGHT: kilograms.

MATERIAL:

CLIENT:

DRAWN BY:

DRAWN DATE:

SHEET 3 OF 3

A4

SCALE:1:25